

# T3NI/T4YI/T4WI/T3SI/T3HI/T4MI/T4LI

## Indication type only, Various sizes

### ■ Features

- Various size  
: W48×H24, W72×H36, W48×H48, W48×H96,  
W72×H72, W96×H96mm
- No output function, Indication only
- High accuracy measuring function  
: F · S±0.3% or ±0.5%



**⚠ Please read "Caution for your safety" in operation manual before using.**

### ■ Ordering information

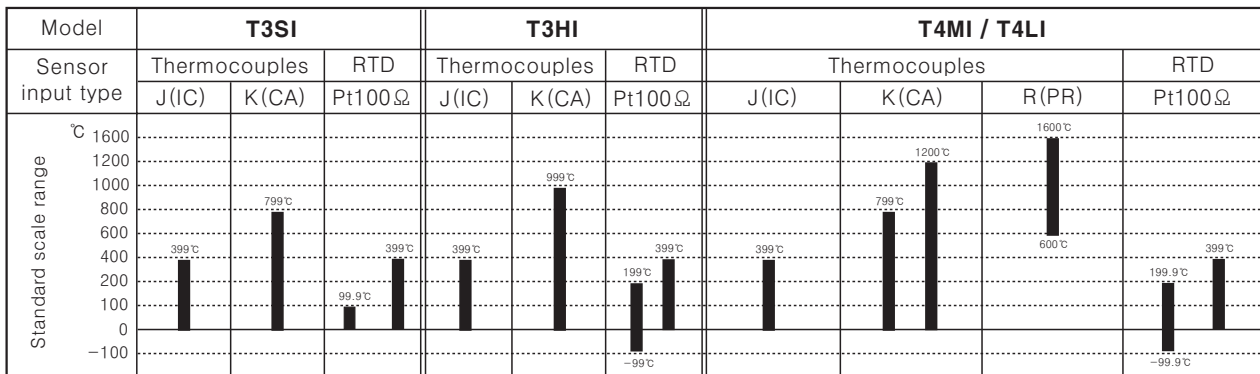
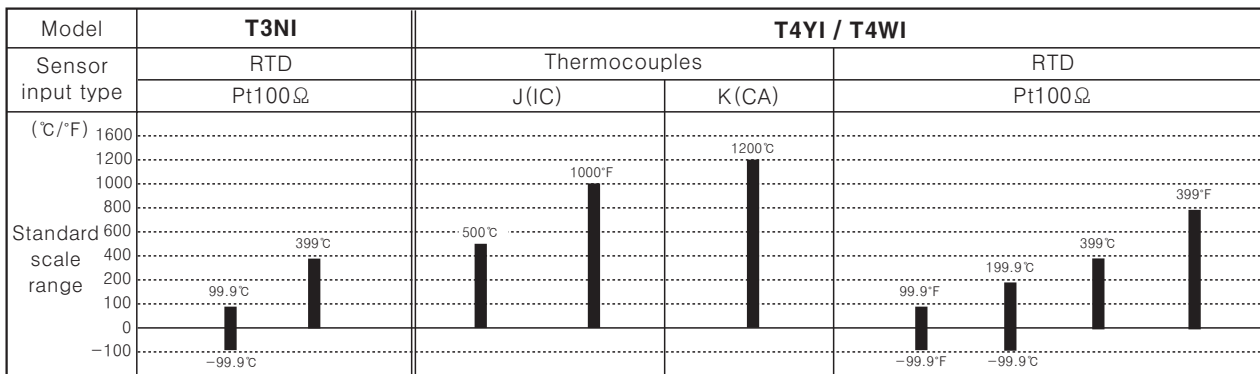
**T 3 S I - N 4 N P 4 C**

Unit	C	°C
	F	°F
Temperature range	0	-99~199, -99.9~199.9, -99.9~99.9
	1	0~99.9
	2	0~199
	4	0~399
	5	0~500
	8	0~799
	A	0~999
	F	0~1200
Sensor input type	P	Pt100Ω
	J	J(IC)
	K	K(CA)
	R	R(PR)
Output mode	N	No output
	X	12~24VDC
	3	110/220VAC 50/60Hz
	4	100~240VAC 50/60Hz
Power supply	N	No control function
	I	Indicator
Control mode	N	DIN W48×H24mm
	Y	DIN W72×H36mm
	W	DIN W96×H48mm
	S	DIN W48×H48mm
	H	DIN W48×H96mm
	M	DIN W72×H72mm
	L	DIN W96×H96mm
Indicator	3	3 Digit
	4	4 Digit
Size	T	Temperature
Digit		
Item		

※ Please check the range of temperature when select model. (Please see C-36page)  
 ※ Only T4WI Series is available °F degree.

# Indicator Type

## Temperature range for each sensor



\*Only T4WI series is available °F degree for above Temp. range.

## Specifications

Model	T3NI	T4YI	T4WI	T3SI	T3HI	T4MI	T4LI
Power supply	12-24VDC	100-240VAC 50/60Hz	110/220VAC 50/60Hz	100-240VAC 50/60Hz	110/220VAC 50/60Hz		
Allowable voltage range	90 ~ 110% of rated voltage						
Power consumption	2W	3VA					
Display method	7Segment LED Display						
Character size	W5×H8mm	W9.8×H14.2mm		W4×H8mm	W6×H10mm	W7.2×H9.8mm	W9.5×H14.2mm
Display accuracy	F · S ± 0.3% rdg ± 1digit	F · S ± 0.5% rdg ± 1digit					
Sensor input	Pt100Ω	● Thermocouples (T.C): K (CA), J (IC), R (PR)			● RTD : Pt100Ω		
Input line resistance	Max. 5Ω per a wire	● Thermocouples : Max. 100Ω			● RTD : Max. 5Ω per a wire		
Insulation resistance	Min. 100MΩ (at 500VDC)						
Dielectric strength	2000VAC 50/60Hz for 1 minute						
Noise strength	±500V	±1kV the square wave noise (pulse width: 1μs) by the noise simulator					
Vibration	Mechanical	0.75mm amplitude at frequency of 10 ~ 55Hz in each of X, Y, Z directions for 1 hour					
	Malfunction	0.5mm amplitude at frequency of 10 ~ 55Hz in each of X, Y, Z directions for 10 minutes					
Shock	Mechanical	300m/s <sup>2</sup> (Approx. 30G) 3 times at X, Y, Z direction					
	Malfunction	100m/s <sup>2</sup> (Approx. 10G) 3 times at X, Y, Z direction					
Ambient temperature	-10 ~ +50°C (at non-freezing status)						
Storage temperature	-25 ~ +65°C (at non-freezing status) □						
Ambient humidity	35 ~ 85%RH						
Weight	Approx. 34g	Approx. 170g	Approx. 322g	Approx. 107g	Approx. 368g	Approx. 356g	Approx. 433g

(A)  
Counter

(B)  
Timer

(C)  
Temp.  
controller

(D)  
Power  
controller

(E)  
Panel  
meter

(F)  
Tacho/  
Speed/  
Pulse  
meter

(G)  
Display  
unit

(H)  
Sensor  
controller

(I)  
Proximity  
sensor

(J)  
Photo  
electric  
sensor

(K)  
Pressure  
sensor

(L)  
Rotary  
encoder

(M)  
5-Phase  
stepping  
motor &  
Driver &  
Controller

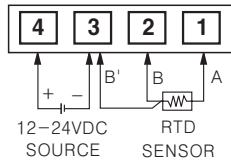
# T3NI/T4YI/T4WI/T3SI/T3HI/T4MI/T4LI

## Connections

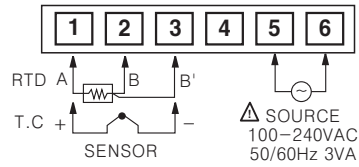
※RTD(Resistance Temperature Detector) : Pt 100Ω (3-wire type)

※Thermocouple : K, J, R

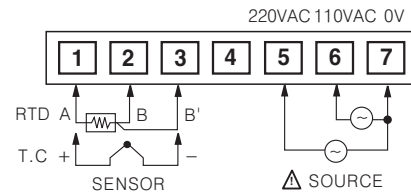
### ●T3NI



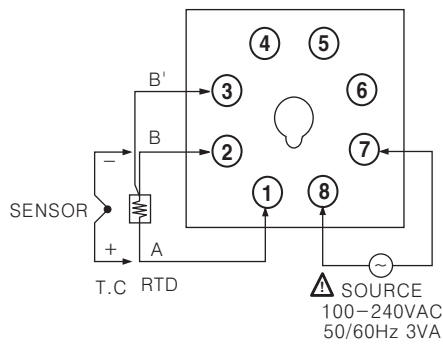
### ●T4YI



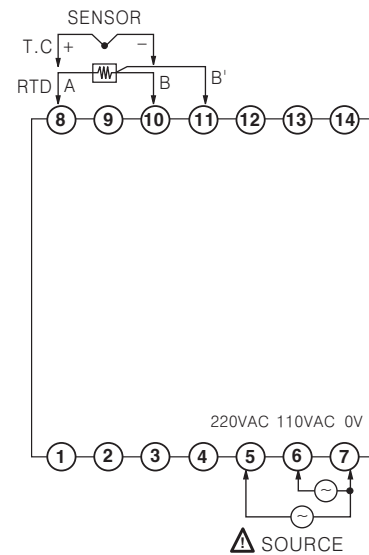
### ●T4WI



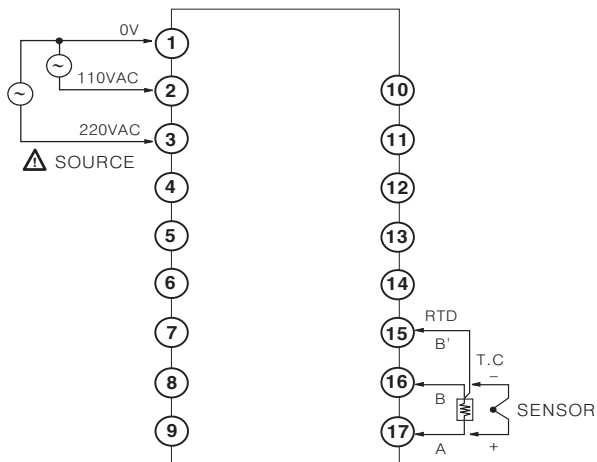
### ●T3SI



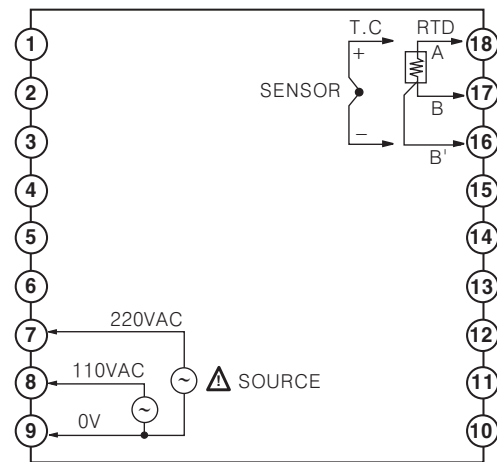
### ●T4MI



### ●T3HI



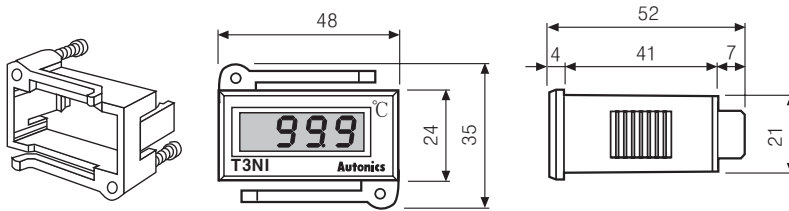
### ●T4LI



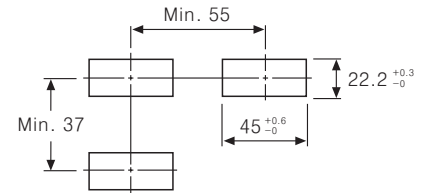
# Indicator Type

## Dimensions

### ●T3NI



### ●Panel cut-out



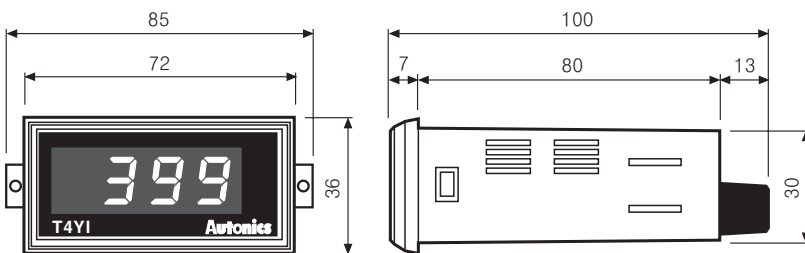
Unit:mm

(A)  
Counter

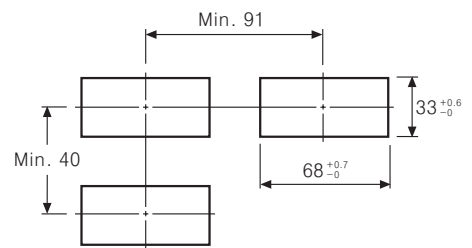
(B)  
Timer

(C)  
Temp.  
controller

### ●T4YI



### ●Panel cut-out



Unit:mm

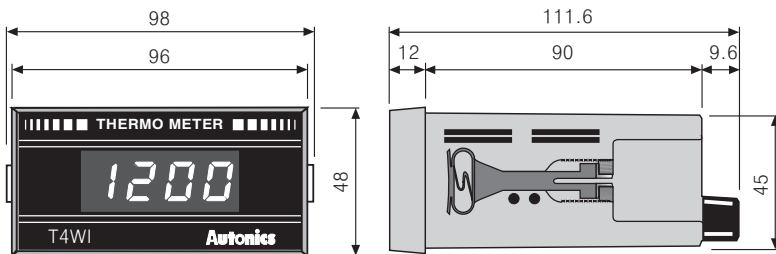
(D)  
Power  
controller

(E)  
Panel  
meter

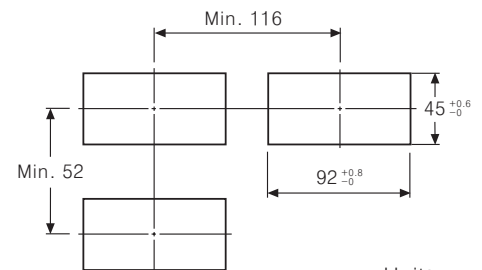
(F)  
Tacho/  
Speed/  
Pulse  
meter

(G)  
Display  
unit

### ●T4WI



### ●Panel cut-out



Unit:mm

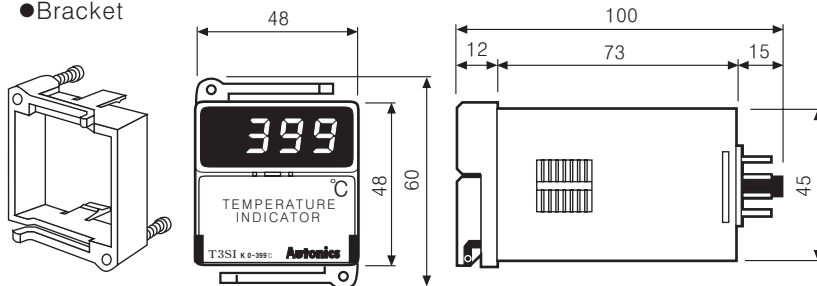
(H)  
Sensor  
controller

(I)  
Proximity  
sensor

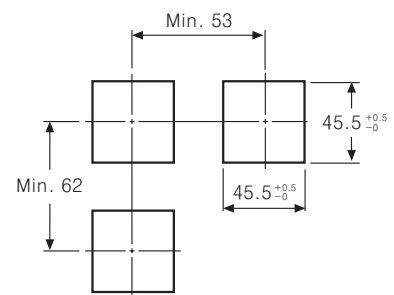
(J)  
Photo  
electric  
sensor

### ●T3SI

#### ●Bracket



### ●Panel cut-out



Unit:mm

(K)  
Pressure  
sensor

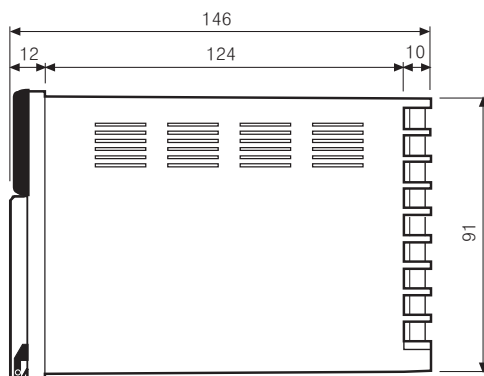
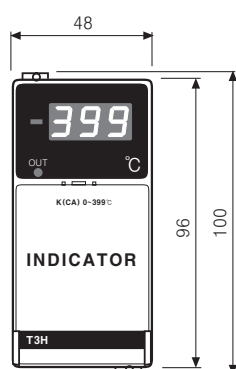
(L)  
Rotary  
encoder

(M)  
5-Phase  
stepping  
motor &  
Driver &  
Controller

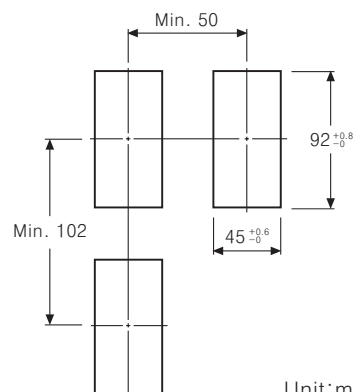
# T3NI/T4YI/T4WI/T3SI/T3HI/T4MI/T4LI

## Dimensions

### ●T3HI

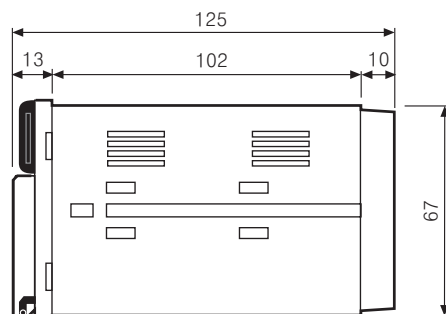
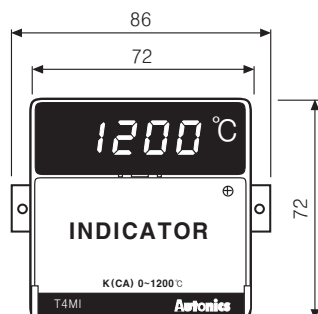


### ●Panel cut-out

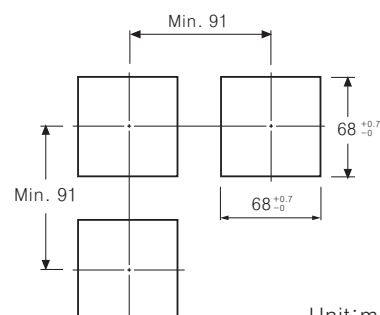


Unit:mm

### ●T4MI

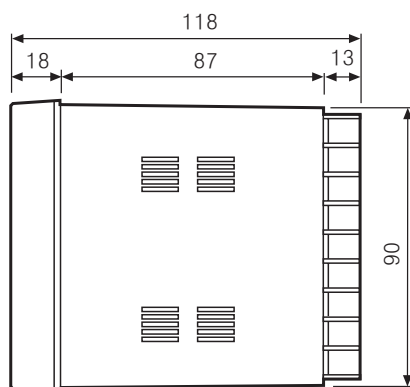
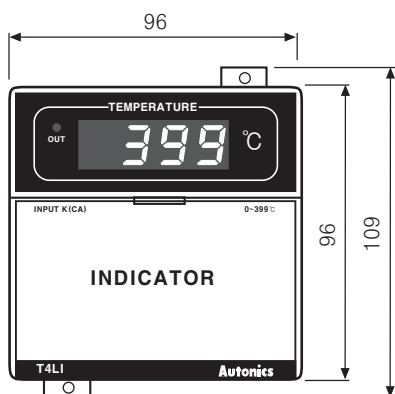


### ●Panel cut-out

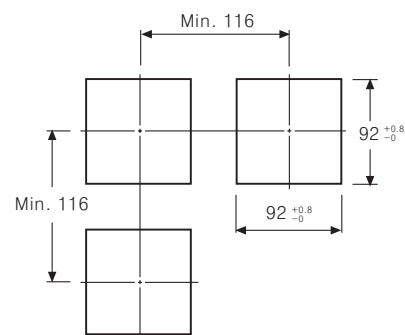


Unit:mm

### ●T4LI



### ●Panel cut-out



Unit:mm

## Proper usage

### ○T3NI

- T3NI is an exclusive measurement for the internal and actual temperature of panel.
- Since the RTD type of T3NI is not produced, please check items before selecting the product.
- The power supply voltage of T3NI is 12-24VDC, and AC power is not produced.
- RTD requires using Pt100Ω 3 wires type, and same length and thickness of lead wire.

### ○The other items

- Please check a model name when you choose the item since the thermocouple is marked the same sign with Pt100Ω. Ex) T4WI-N3NPO
- RTD requires using Pt100Ω 3 wire type, and same length and thickness of lead wire.
- The extension wire of thermocouple must be used with ruled compensating wire or thermocouple strand.